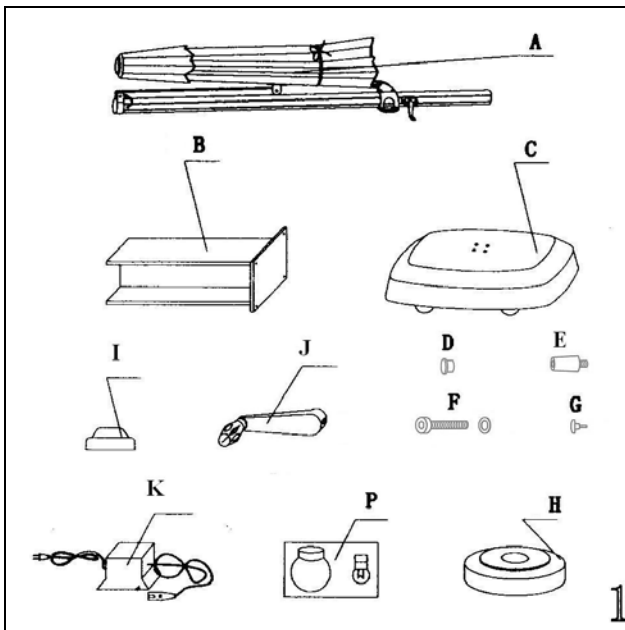


# ASSEMBLY INSTRUCTIONS

Read the instructions thoroughly before assembly

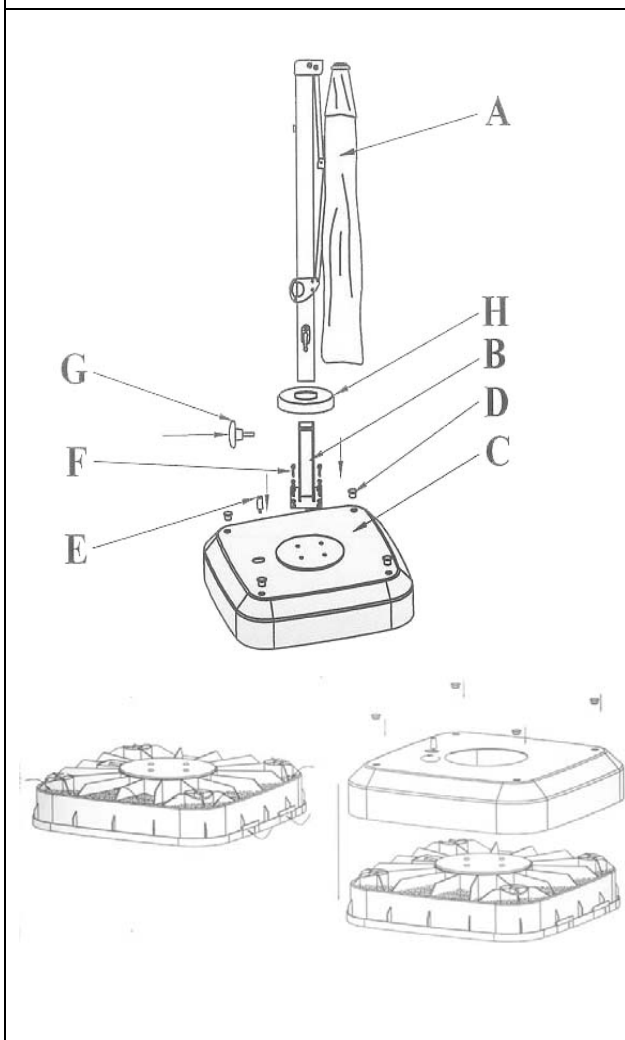


## STEP 1.

Inspect umbrella frame and all component parts before assembly.

- A. Main Frame
- B. Support base
- C. Power Base - including: Base lid cap(D), Foot Pedal(E), Stainless steel bolts(F), Thumbscrew(G)
- H. Support Base Cover
- I. Vent Top Cap
- J. Crank handle
- K. Transformer
- P. Umbrella Light (Bulb and light cover)

1



## STEP 2

\* Place the Power Base (C) on a level area. Open the base lid and adjust the wheel height, if necessary. Then, load sand or pebble into the base shell.

\* Attach the Support base (B) to the rotating base with the four Hex head bolts (F). Remove the Thumbscrew (G) and slide the base cover (H) over support base.

\* Place the main Frame onto the support base, then re-attach and tighten the thumbscrew.

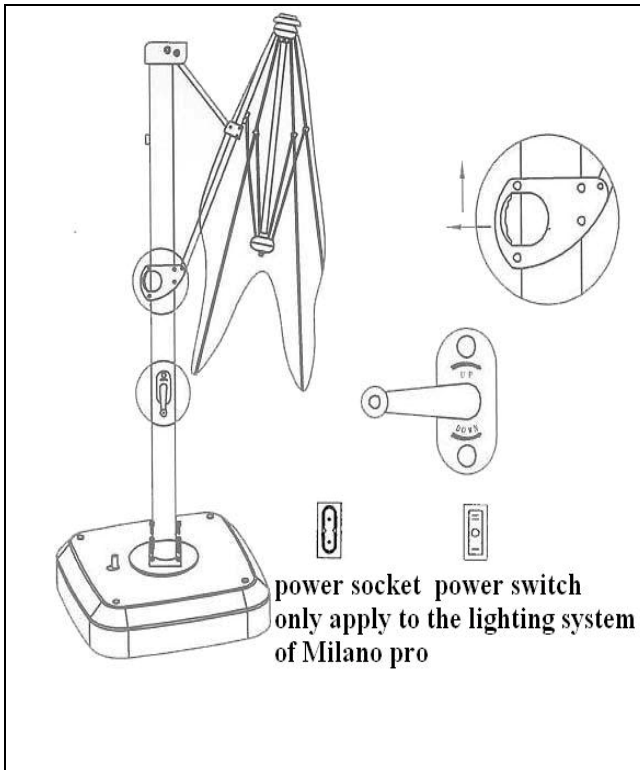
### TOP COVER INSTALLATION

\* Open the fabric and spread it over the ribs. Note: the umbrella ties must be located in front of the umbrella (away from the stand).

\* Turn the crank clockwise to open the umbrella about half way, then, insert the seven ribs into the fabric pockets. Now, connect the Velcro and secure the grommet that is sewn into the fabric to the fixed screw on the lower support arm by removing the rubber cushion on the screw. Screw the vent top cap over the fabric.

### For the Milano Pro moon light system only

\* Screw the light bulb into the light socket, then attach the light cover.(see diagram 2)

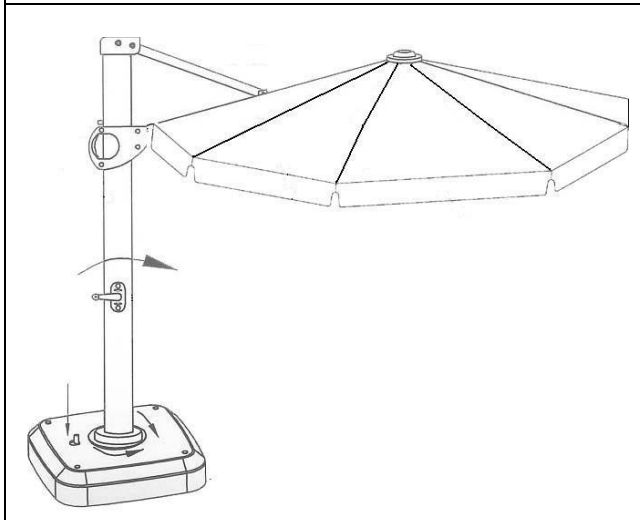


**STEP 3.**

- \* To open umbrella, turn the crank clockwise. To close umbrella, turn the crank counter clockwise.
- Important:** When cranking, if you feel resistance and the umbrella is not opening, spread the umbrella ribs using your hands, then continue to crank open.
- \* When you want to change the angle of your umbrella, squeeze the pistol grip tilt handle and slide it up or down to locate the preferred angle.
- \* When finished with umbrella, squeeze the tilt handle and pull downward then rotate crank counter clockwise to close the umbrella. Use ties to secure main fabric to the post.

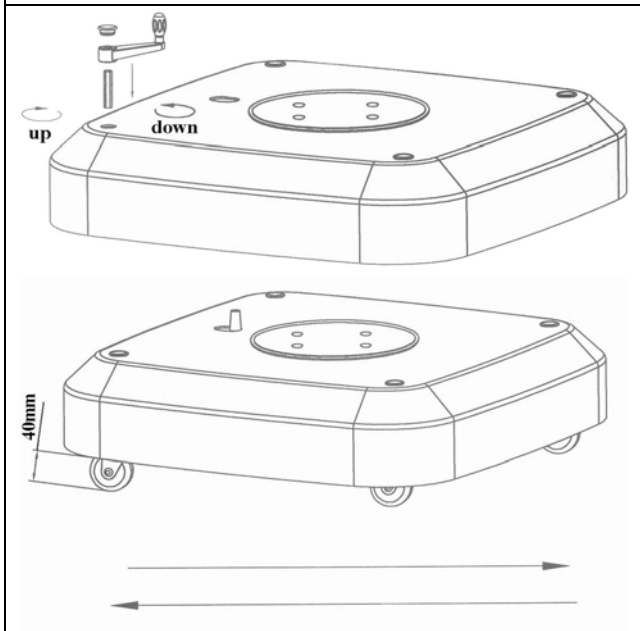
**Operations for moon and star lighting system of Milano Pro**

- \* Insert "input" end of transformer into 120V or 220v power supply and "output" end into Power Socket.
- \* Push "-----" **ONLY** the moonlight is bright.
- \* Push "==" moonlight is dim and the starlights are bright.
- \* Push "o" and the power will turn off.



**Step 4.**

You can rotate your umbrella 360 degree by simply stepping on the base foot pedal; You must rotate the umbrella manually while continuing to step on the pedal. When the umbrella is at your desired location, release the foot pedal and the umbrella will automatically lock into place.



**Optional**

If you want to adjust the height of the wheel, simply, remove the base lid cap and insert the brass pin. Then, attach the crank handle (J) to the pin and rotate in either direction. It is not necessary to empty the base before making adjustments.